

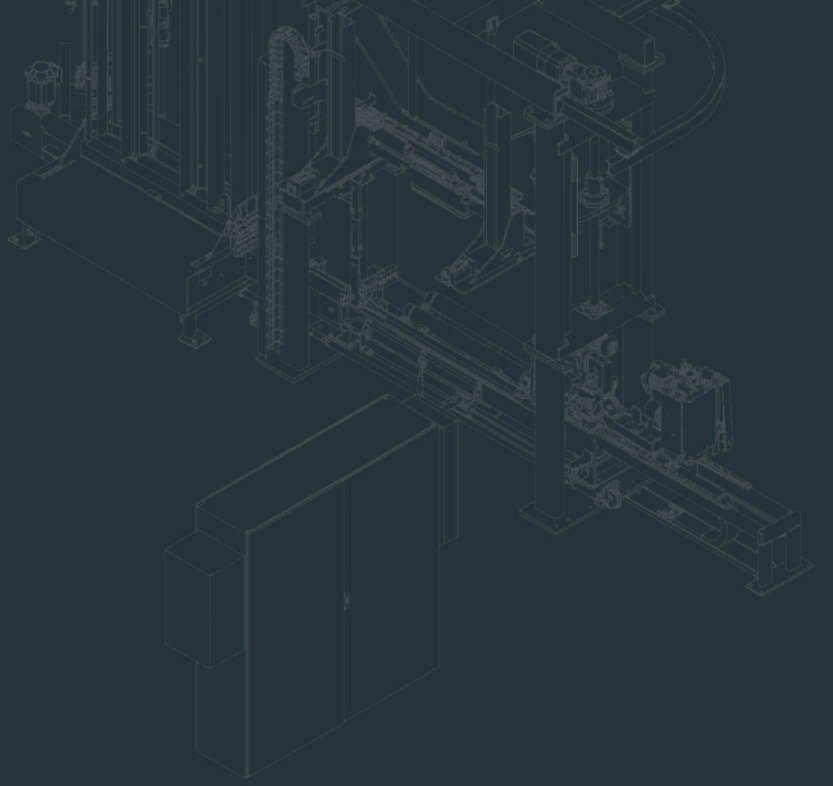


itipack

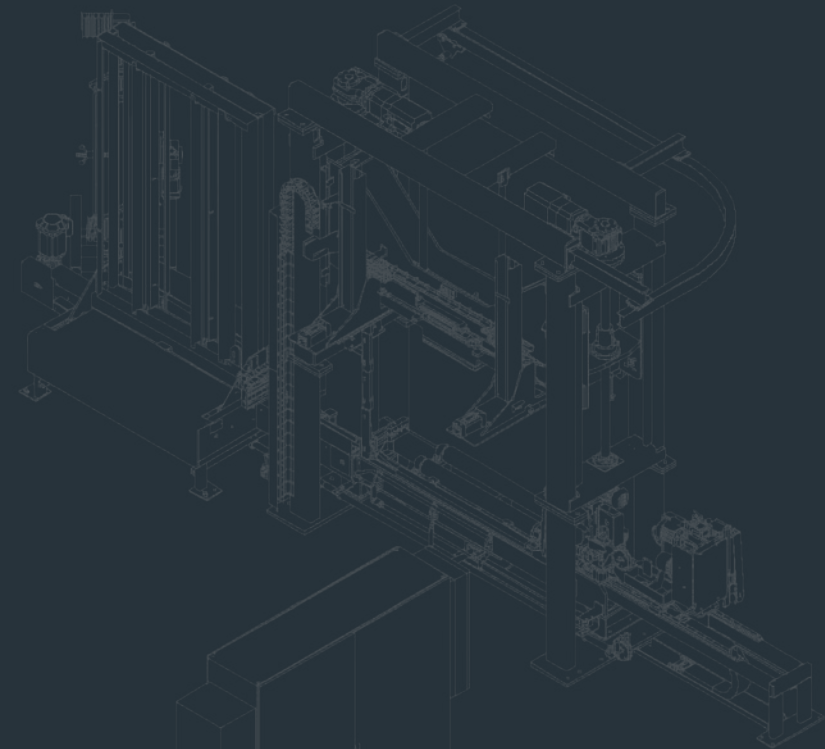


PROUDLY CANADIAN

STRAPPING SYSTEMS FOR CANS



EFFICIENCY ENGINEERED



CONTENTS

ABOUT US

TYPES OF MACHINES

CAN MACHINE FEATURES

ADVANTAGES OF WORKING WITH US

CAN STRAPPING MACHINES

CONTACTS

ABOUT US

Itipack Systems is a world leader in integrated strapping solutions. Each one of our systems shares in our firm commitment to high value, optimum performance, and long-lasting results.

SOLID UNDERSTANDING

As experts in the strapping machine industry, we understand that your business needs are unique. That is why we design and build strapping machines for canned products that are customized to suit your needs. We work to ensure that our machines offer you the maximum output and productivity.





TYPES OF MACHINES

VKE/FLPS

Automatic strapping machine to strap pallets of empty cans. Equipped with a sealing head, top mounted and a lance for the introduction of a strap through the pallet void, with a stabilizing and compressing plate up to 500 kg.

VKB/FLPS

Automatic strapping machine to strap pallets of empty cans. Equipped with a lance for the introduction of a strap through the pallet void, side-mounted head applying double strap tensioning, and top stabilizing compression plate up to 500 kg.

CAN MACHINE FEATURES

We recognize that not all can products are the same and offer several customizations for our strapping machines.



STRAPPING HEAD

Single or dual-headed side seal strapping head.



COMPRESSION

We offer fully-selectable side compression.



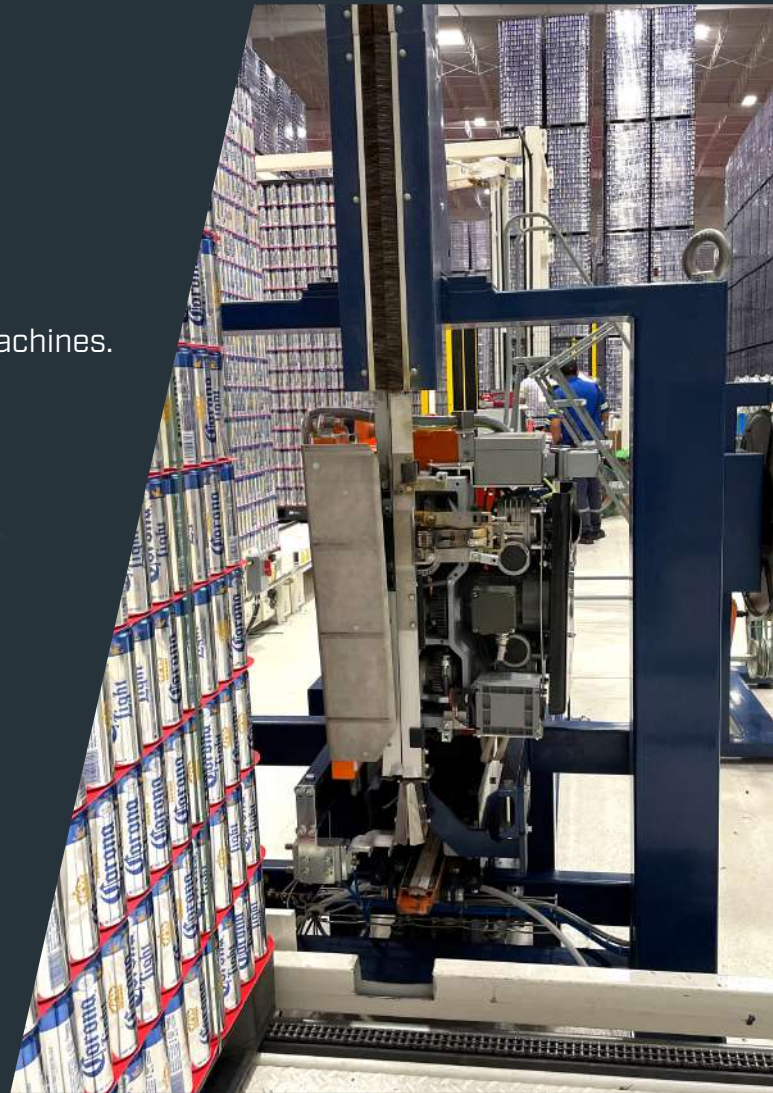
INTEGRATION

Optional line integration of multiple automatic machines.



BUILT-TO-SUIT

Fully-customizable bayonets for pallet voids.





ADVANCED EFFICIENCY

ADVANTAGES OF WORKING WITH US

01



COMPLEX PROBLEM
SOLVING

02



RESPONSIVE SERVICE

03



SAFE WORK
ENVIRONMENTS

04



CREATING EFFICIENCY

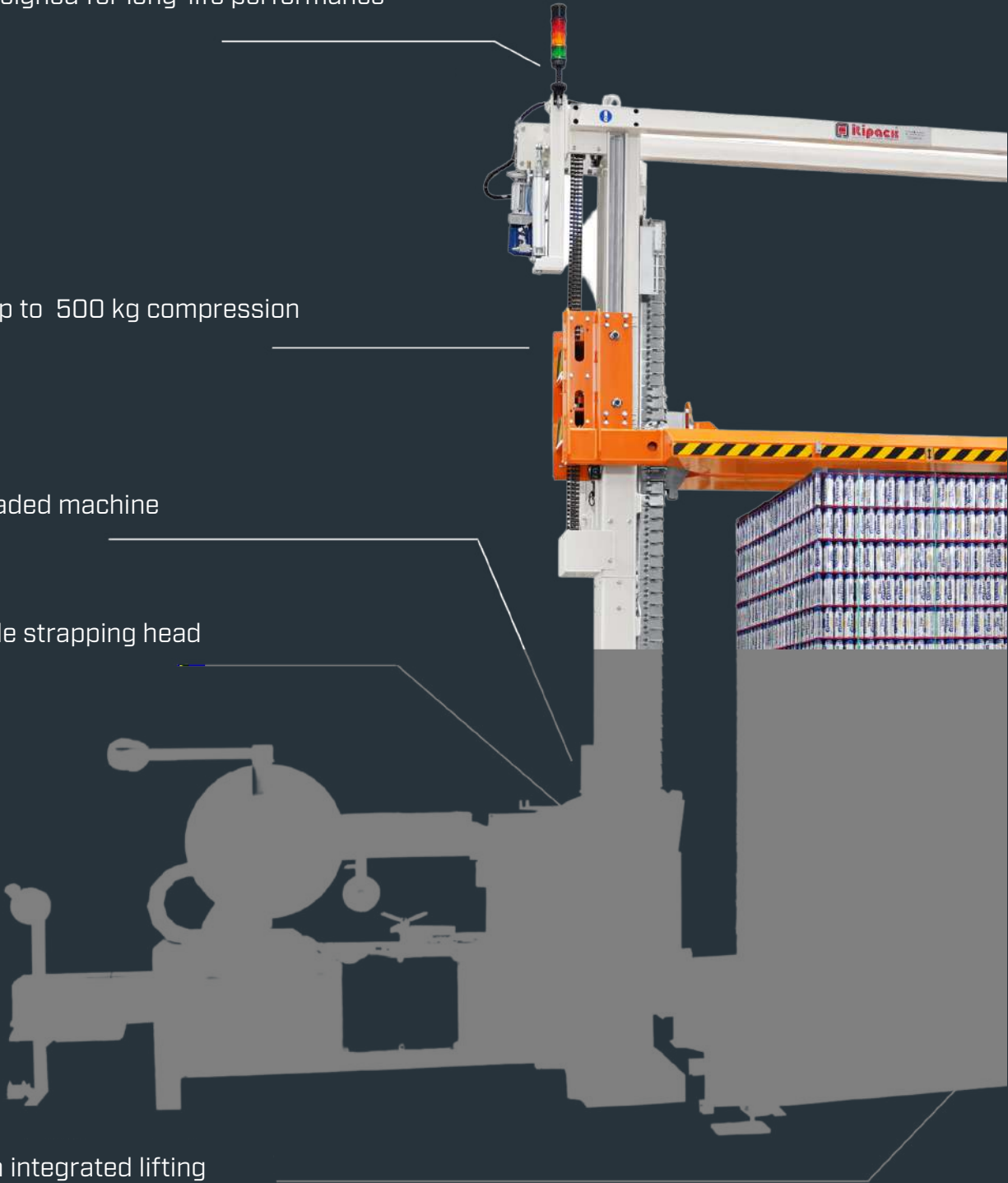
Fully customized designed for long-life performance

Stabilizing platen up to 500 kg compression

Single / double-headed machine

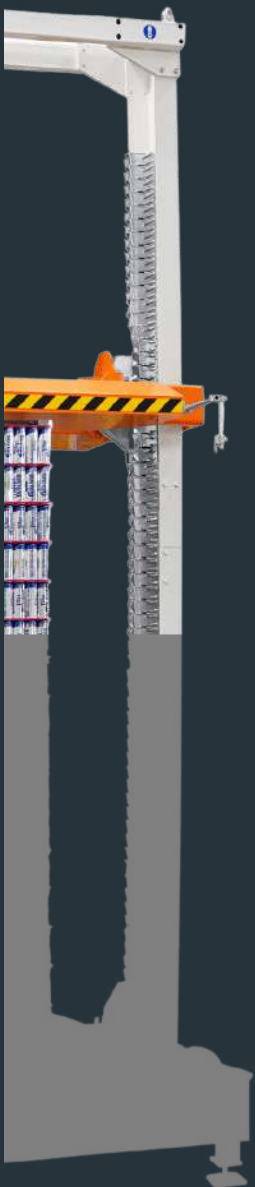
Easy-to-access side strapping head

Possibility of an integrated lifting system for cross strapping



STRAPPING MACHINE FOR CANS

Single / double-headed machine without
compression for cross strapping machine for cans





CONTACT US

+1(905)-333-3695

www.itipacksystems.com

info@itipacksystems.com

919 Zelco Drive, L7L 4Y2, ON, Canada

